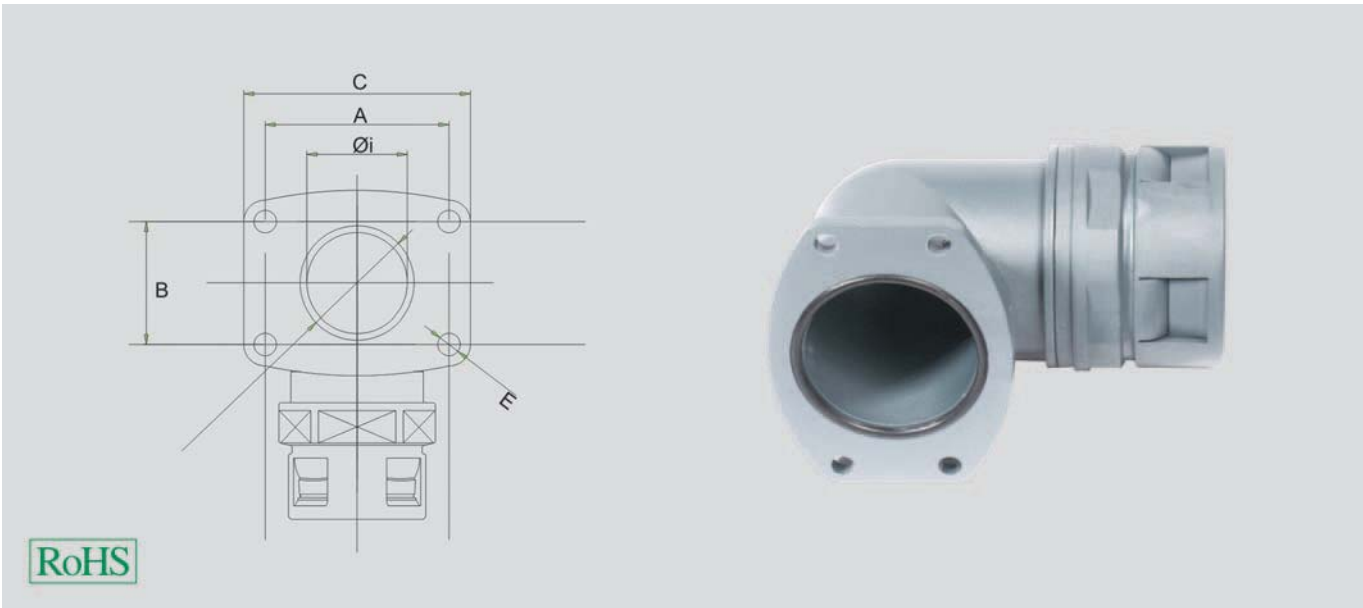


HSSV corrugated tubes conduit gland - elbow 90°



flange



HSSV gland 90° flange

Quick-insert glands for a reliable, quick connection.
Suitable for parallel-coiled HELUcond protection tubes.

Application

- Plant and machine construction
- Robot construction
- Automation technology
- Vehicle construction and shipbuilding
- Rail technology
- Installation technology
- Control cabinet construction

Material

Polyamide PA 6

Flammability acc. to UL 94: V0

- halogen-free
- cadmium-free

Properties

resistant to a multitude of

- fuels
- mineral oils
- greases
- weak bases
- weak acids

Note

- UR-tested
- Protection classification:
- IP 66 with outer seal
- Each unit includes 1 safety opener

Technical data

Protection class: IP 65

Temperature range: -40°C up to +110°C

flange

Part no. grey	Part no. black	Suitable for ND	Unit	Net EUR/100 items at a purchase of		
				up to 100	101 - 500	501 - 1000
920209	920214	17,0	50	o. r.	o. r.	o. r.
920210	920215	21,0 / 23,0	50	o. r.	o. r.	o. r.
920211	920216	29,0	25	o. r.	o. r.	o. r.
920212	920217	36,0 / 37,0	25	o. r.	o. r.	o. r.
920213	920218	48,0 / 50,0	10	o. r.	o. r.	o. r.

Dimensions and specifications may be changed without prior notice.

o. r. = on request